

X-GRIP FRAME GUARD HONDA CRF 250L - CRF 250 RALLY

PARATELAIO X-GRIP HONDA CRF 250L - CRF 250 RALLY



COD. 500005892

ACERBIS PARTS



A - (1 pcs.)

B - (1 pcs.)



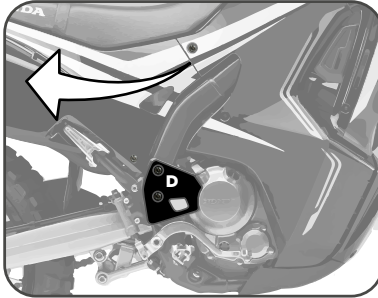
C - (6 pcs.)

OEM PARTS

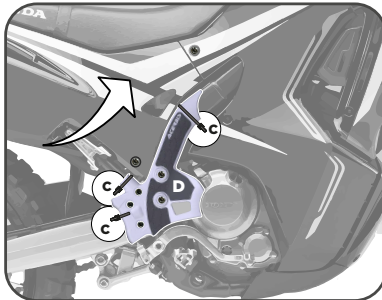


D - (2 pcs.)

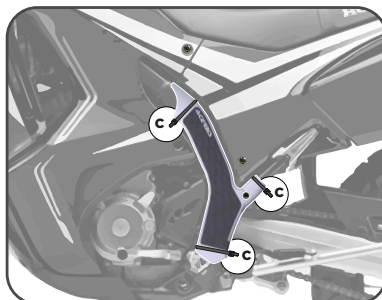
HONDA CRF 250 RALLY



1. Right side: disassemble the original side panels. Remove the two screws (D) and the original frame guard.
1. Lato destro: smontare il fianchetto originale. Rimuovere le due viti (D) e il paratelaio originale.

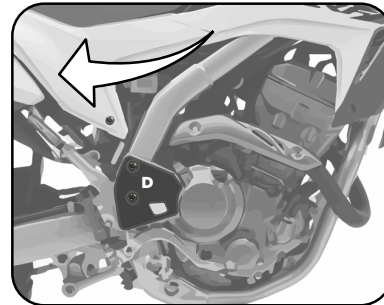


2. Right side: assemble the X-GRIP frame protector using the two original screws (D) and the three plastic zip ties included in the kit. Reassemble the original side panels.
2. Lato destro: montare il paratelaio X-GRIP utilizzando le due viti (D) originali e le tre fascette (C) incluse nel kit. Rimontare il fianchetto.

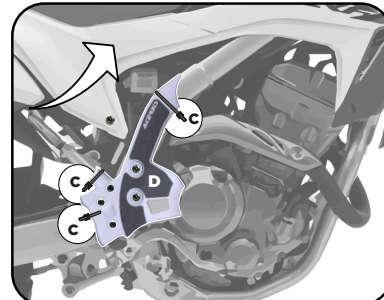


3. Left side: assemble the X-GRIP frame protector using the three plastic zip ties included in the kit.
3. Lato sinistro: montare il paratelaio X-GRIP utilizzando le tre fascette (C) incluse nel kit.

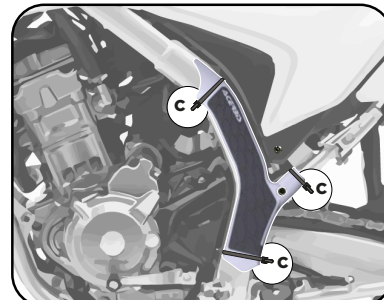
HONDA CRF 250 L



1. Right side: disassemble the original side panels. Remove the two screws (D) and the original frame guard.
1. Lato destro: smontare il fianchetto originale. Rimuovere le due viti (D) e il paratelaio originale.



2. Right side: assemble the X-GRIP frame protector using the two original screws (D) and the three plastic zip ties included in the kit. Reassemble the original side panels.
2. Lato destro: montare il paratelaio X-GRIP utilizzando le due viti (D) originali e le tre fascette (C) incluse nel kit. Rimontare il fianchetto.



3. Left side: assemble the X-GRIP frame protector using the three plastic zip ties included in the kit.
3. Lato sinistro: montare il paratelaio X-GRIP utilizzando le tre fascette (C) incluse nel kit.

WARNING!

Use at your own risk. Check the security of your device before you ride. Be sure that you follow the instructions installing the Acerbis products. Do not ride if there is missing or damaged hardware. If this is the case, take the item immediately back to your dealer. Make sure the throttle and other controls are free every time you ride. Lack of attention to instruction and warning could lead to interference with the controls, loss of control, and accidents. Acerbis recommends that installation must be done by a licensed mechanic and that only Acerbis original parts are used during fitting. Acerbis makes no guarantees or representations, express or implied, regarding the fitness of its products for any particular purpose. Acerbis makes no guarantees or representations, express or implied, regarding the extent to which its product protect individuals or property from injury or death or damage.